

Pyramid Teabag making Machine FP-CS

Pyramid Tea Bag ! 50 bags per Minute !

Features

* Simple function! FP-CS is equipped selected functions to produce tea bags.

* Easy to maintain. Easy to clean it up and to change parts.

* Pyramid and rectangular shape of teabag available.

* Packing capacity of 3,000 bags per hour

* Easy to produce tea bags using tag and thread attached filter



*Optional Load-cell weigher FW-50SA enable you to produce best quality pyramid tea bags.

Herbal Tea



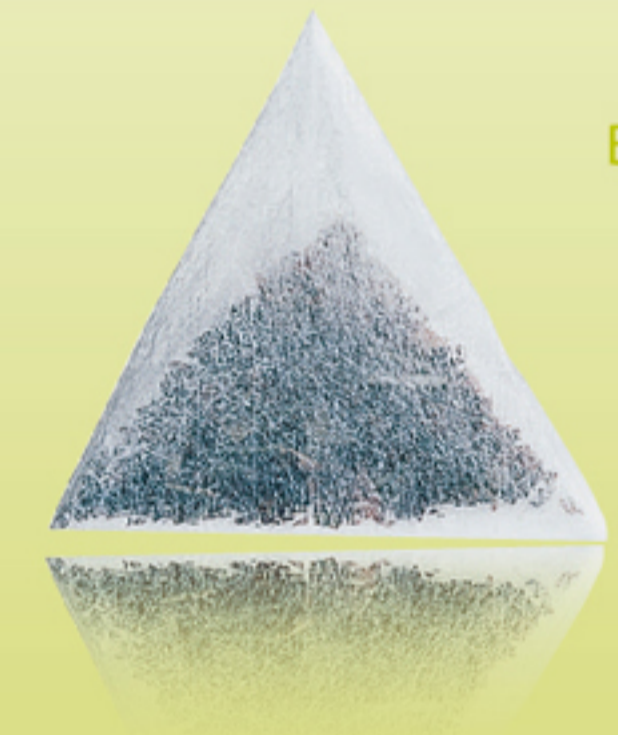
Chinese Medicine



Green Tea



Black Tea



Fruit Tea




Leaf & Flower Tea



Pyramid Teabag making Machine

FP-CS

Specifications

| | |
|----------------------|---|
| Shape |  |
| Capacity | Max. 50 bags/min. (depends on tea material) |
| Packaging Method | 3-side sealing and cutting by ultrasonic |
| Packaging Material | Nylon mesh, polyester mesh, NWF* etc. any suitable filters for ultrasonic sealing |
| Teabag Size | Pyramid: 50-80 mm (each edge) Rectangular: 50-80(L) x 40-80(W) mm |
| Feeding System | Volumetric slide doser |
| Dimensions | 970(W) x 790(D) x 2,050 (H) mm |
| Weight | 320 kg |
| Power Supply** | Electricity: 3P/200V/1.5kW Compressed air: 155 L/min. (6 bar) |
| Standard Accessories | <ul style="list-style-type: none"> • Auto-stop with alarm by tag detector ultrasonic overload safety door interlock scale unit error inverter error/overtime production counter • Static electricity remover • Auto-tension control with dancer roll • Filter Joint detector • LCD touch screen |

*NWF: Non-woven fabric

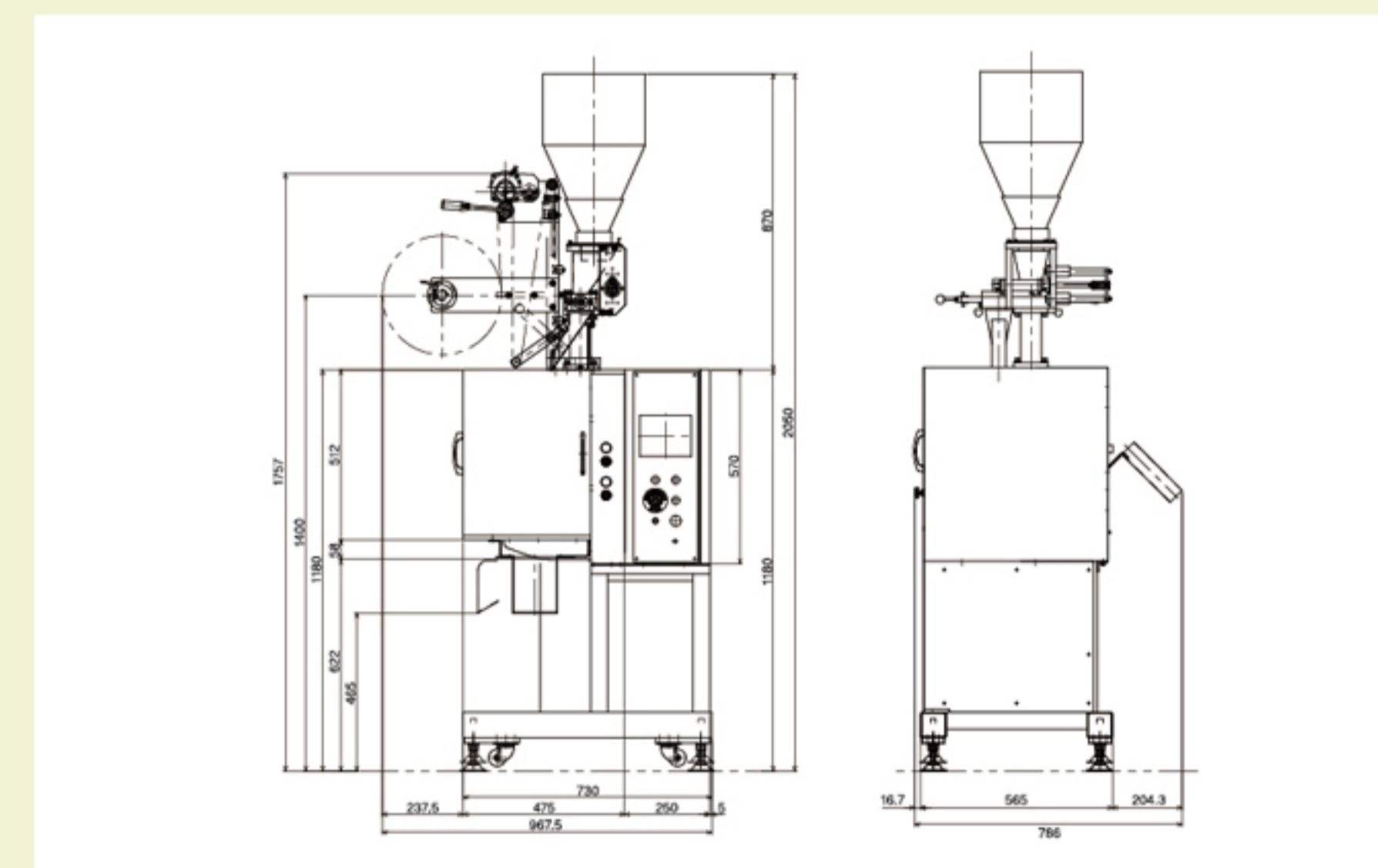
**Transformer for local voltage and dried compressed air to be prepared by customer.

Options

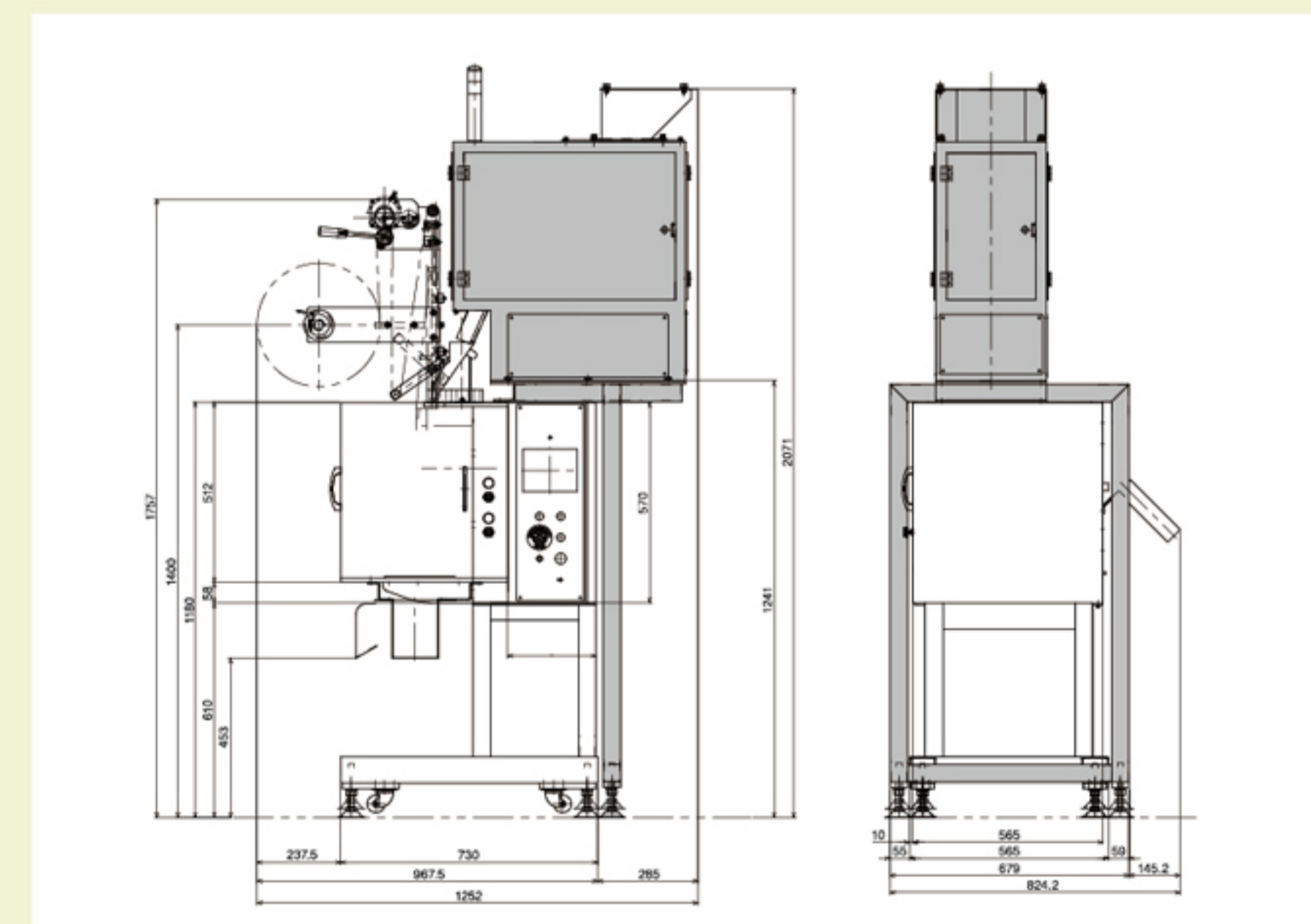
Spare Parts Set for FP-CS
Chute knocker
Non Woven Fabric Device
Multiple feeding device
[Slide doser] Hopper Poking device
[Slide doser] Vibrator
Spare Chute for nylon pyramid bag
Spare Chute for NWF pyramid bag
Spare Chute for rectangular bag

FW-50SA load cell weigher (4 channel)
[FW-50SA] Stand

Layout Dimensions



Model FP-CS in standard specification



Model : FP-CS with weigher FW-50SA